

Restrictor Valve/Check Restrictor Valve

Model: DV(P)/DRV(P)...1XJ



- ◆ Size 6 to 30
- ◆ Maximum working pressure 350 bar
- ◆ Maximum working flow 375 L/min

Contents

Function description, sectional drawing	02
Models and specifications	03
Technical parameters	03
Characteristic curve	04
Component size	05-07

Features

- Subplate mounting
- Threaded connection
- Adjusting spool in closed position without leakage from port A to port B

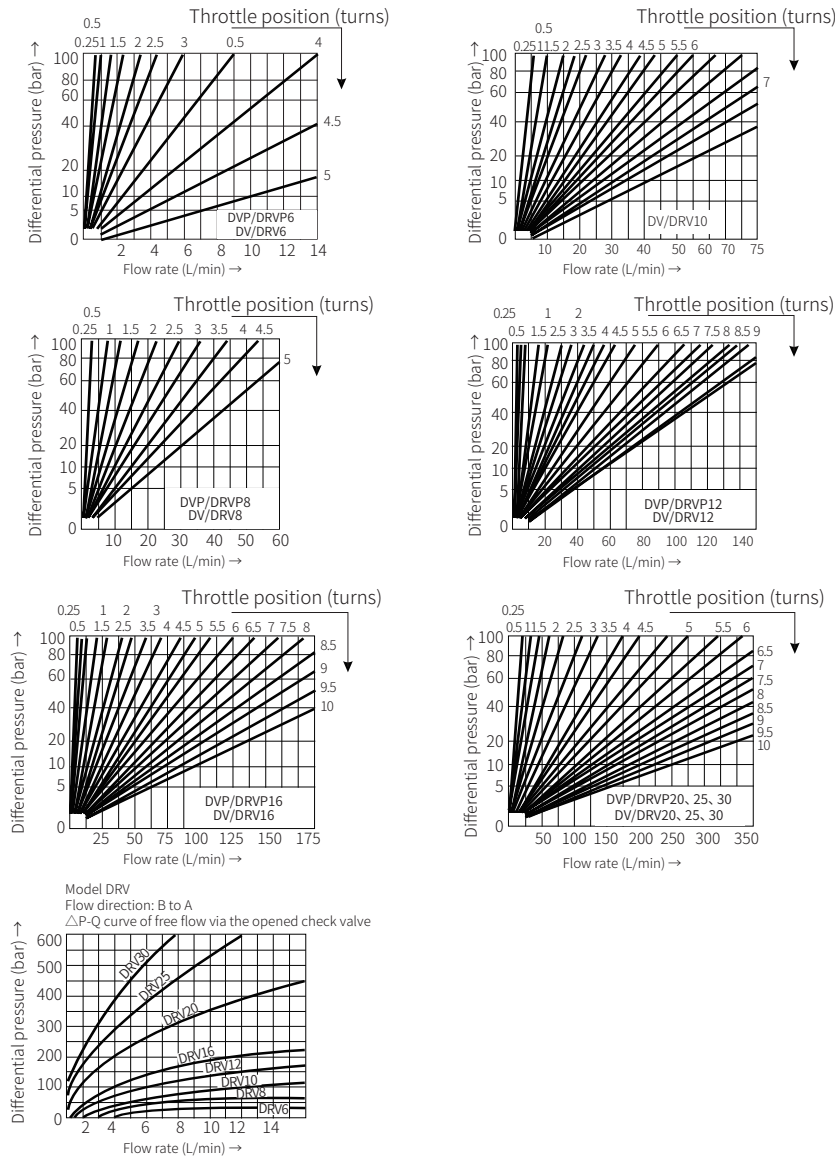
Any part of this brochure can not be reproduced, edited, copied and disseminated electronically in any way without authorization of Jiayite Hydraulics company. As the product is in constant development and innovation, the information in this brochure is not specific to the special conditions or applicability of a specific industry, thus Jiayite Hydraulics company is not responsible for any incomplete or inaccurate description generated.



Characteristic curve

(Measured when using HLP 46, $t_{oil} = 40^{\circ}\text{C} \pm 5^{\circ}\text{C}$)

Flow direction: A to B, the relationship between differential pressure ΔP and flow Q at the fixed throttle position

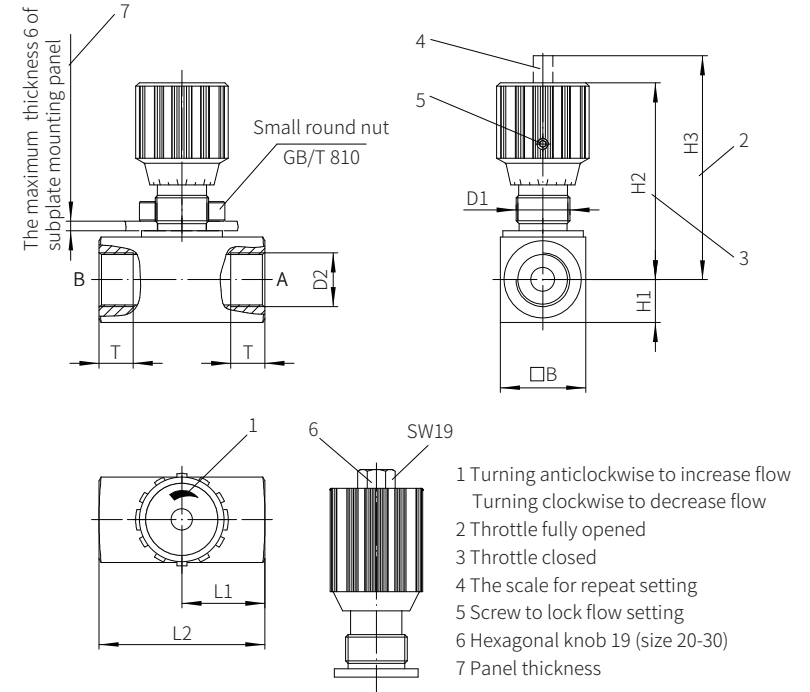


03

Component size

Size unit: mm

Threaded connection (Model DV/DRV)



03

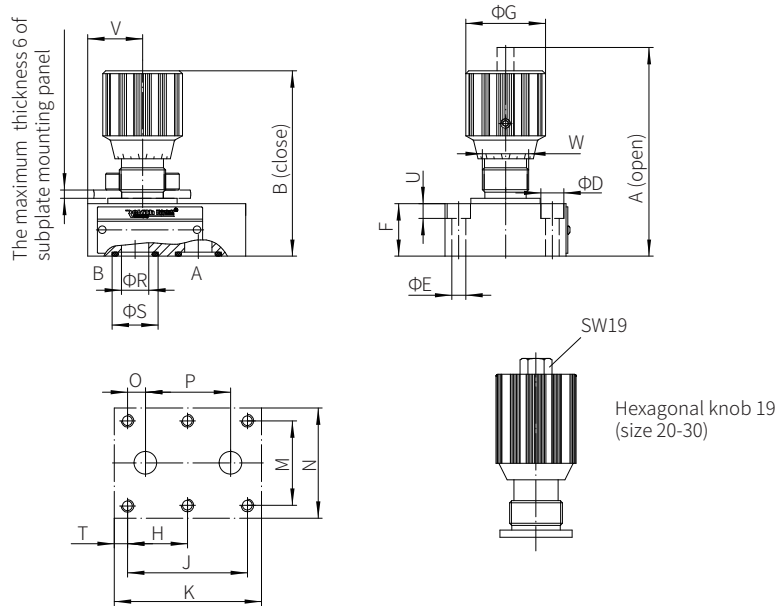
Note: For size L1 and L2, the left is size for DV, the right is size for DRV.

Size	□B	D1	D2		T	H1	H2	L1		L2	
6	16	M14X1.5	G1/8"	M10X1	8	8	53.5	19	26	38	45
8	25	M18X1.5	G1/4"	M14X1.5	12	12.5	66.8	24	33.5	48	55
10	30	M18X1.5	G3/8"	M18X1.5	12	15	69.3	29	41	58	65
12	35	M22X1.5	G1/2"	M22X1.5	14	17.5	80.7	34	44	68	73
16	45	M22X1.5	G3/4"	M27X2	16	22.5	85.7	39	57	78	88
20	50	M33X2	G1"	M33X2	18	25	135.6	54	77	108	127
25	60	M33X2	G1 1/4"	M42X2	20	30	140.6	54	93	108	143
30	70	M33X2	G1 1/2"	M48X2	20	35	145.6	54	108	108	143

Component size

Size unit: mm

Subplate mounting (Model DVP)



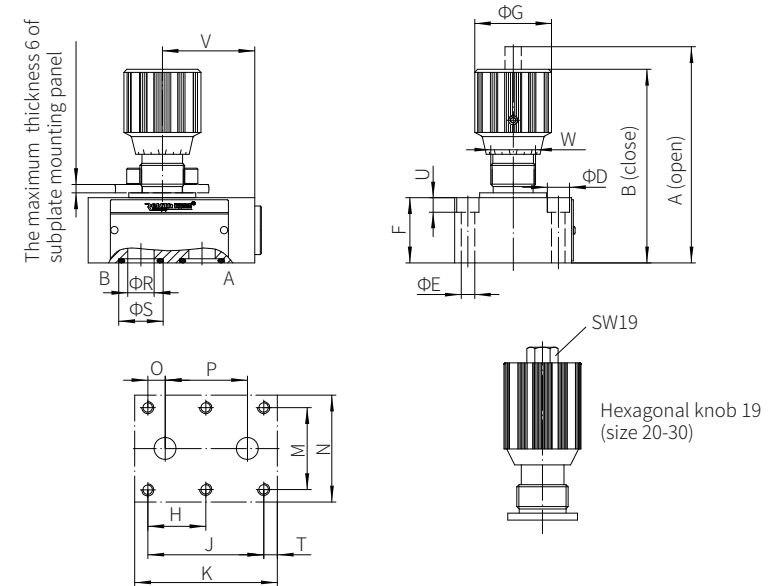
Size	A	B	D	E	F	G	H	J	K	M
6	70.5	63.5	11	6.6	18	24	-	19	35	28.5
8	82.2	74.3	11	6.6	20	24	-	35	47.5	33.5
10	87.2	79.2	11	6.6	25	29	-	33.5	51	38
12	100.2	88.2	11	6.6	25	29	-	38	75	44.5
16	105	93.2	14	9	30	38	38	76	93.5	54
20	166.6	115.6	14	9	45	38	47.5	95	111	60
25	166.6	115.6	18	11.5	45	49	60	120	143	76
30	171.6	160.6	20	14	50	49	71.5	143	171	92

Size	N	O	P	R	S	T	U	V	W
6	41.5	1.6	16	5	12.2	8	7	11	M14X1.5
8	46	4.5	25.5	7	13.7	6.5	7	13.5	M18X1.5
10	51	4	25.5	10	15.7	8.5	7	16	M18X1.5
12	57.5	4	30	13	21.8	18.5	7	26	M22X1.5
16	70	11.4	54	16	24.5	8.5	9	23.5	M22X1.5
20	76.5	19	57	22	31.5	8	9	34	M33X2
25	100	20.6	79.5	28.5	39.2	11	11	45	M33X2
30	115	23.8	95	31	41	15	13	39	M33X2

Component size

Size unit: mm

Subplate mounting (Model DRVP)



Size	A	B	D	E	F	G	H	J	K	M
6	75.5	68.5	11	6.6	23	24	-	19	41.5	28.5
8	86.2	78.3	11	6.6	24	24	-	35	63.5	33.5
10	89.2	81.2	11	6.6	27	29	-	33.5	70	38
12	107.2	95.2	11	6.6	32	29	-	38	80	44.5
16	120	108.2	14	9	45	38	38	76	104	54
20	171.6	120.6	14	9	50	38	47.5	95	127	60
25	179.6	128.6	18	11	58	49	60	120	165	76
30	196.6	185.6	20	14	75	49	71.5	143	188	92

Size	N	O	P	R	S	T	U	V	W
6	41.5	1.6	16	6	12.2	16.1	8	29.5	M14X1.5
8	46	4.5	25.5	8	13.7	14.3	10	42.5	M18X1.5
10	51	4	25.5	10	15.7	18.5	7	45	M18X1.5
12	57.5	4	30	13	21.8	21	7	45.5	M22X1.5
16	70	11.4	54	17	24.5	16	12	54	M22X1.5
20	76.5	19	57	22	31.5	30	12	70	M33X2
25	100	20.6	79.5	28.5	39.2	28	13	83	M33X2
30	115	23.8	95	31	41	42.5	13	87.5	M33X2