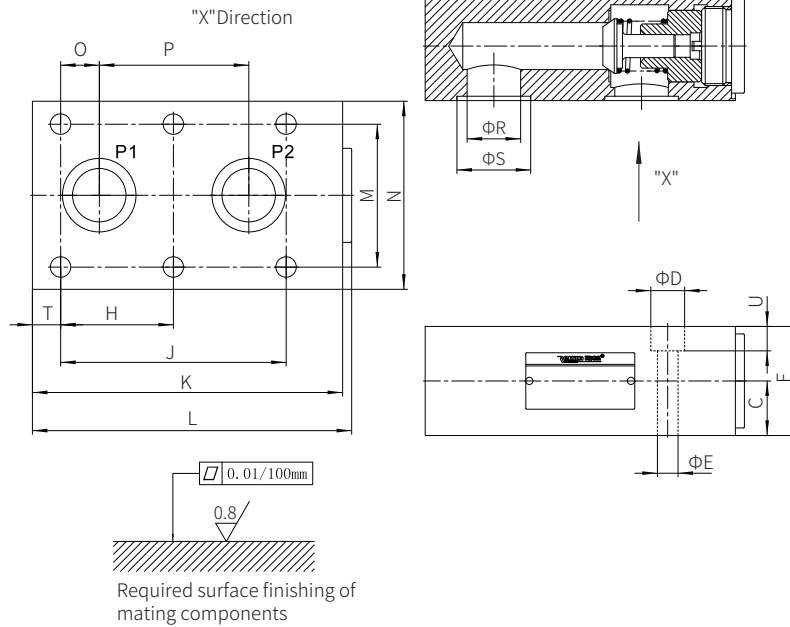


Component size

Size unit: mm

Model RVP...1XJ/...



Size	C	D	E	F	H	J	K	L	M
RVP-6	11.5	11	6.6	23	-	19	41.5	46	28.5
RVP-8	13	11	6.6	24	-	35	63.5	67	33.5
RVP-10	13.5	11	6.6	27	-	33.5	70	74	38
RVP-12	16	11	6.6	32	-	38	80	84	44.5
RVP-16	22.5	14	9	45	38	76	104	109	54
RVP-20	26	14	9	50	47.5	95	127	132	60
RVP-25	29	18	11	58	60	120	165	170	76
RVP-30	37.5	20	14	75	71.5	143	186	192	92
RVP-40	50	20	14	100	67	133.5	192	198	111
Size	N	O	P	R	S	T	U	Weight (kg)	
RVP-6	41.5	1.6	16	6	12.2	6.4	8	0.26	
RVP-8	46	4.5	25.5	8	13.7	14.2	10	0.5	
RVP-10	51	4	25.5	10	15.7	18	7	0.80	
RVP-12	57.5	4	30	13	21.8	21	7	1.10	
RVP-16	70	11.4	54	17	24.5	12	12	2.25	
RVP-20	76.5	19	57	22	31.5	16	12	3.90	
RVP-25	100	20.6	79.5	28.5	39.2	15	13	6.70	
RVP-30	115	23.8	95	31	41	15	13	11.0	
RVP-40	140	25.5	89	45	54	16	18	17.0	

Plug-in Check Valve

Model: M-SR...KE...1XJ



- ◆ Size 8 to 30
- ◆ Maximum working pressure 315 bar
- ◆ Maximum working flow 400 L/min

Contents

Function description, sectional drawing	02
Functional symbols	02
Models and specifications	02
Technical parameters	03
Characteristic curve	04
Component size	05

Features

- Insert into the manifolds blocks
- Reverse closing without leakage
- 6 optional cracking pressure

Function description, sectional drawing

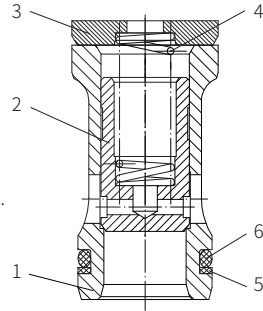
The M-SR...KE...1XJ/ type plug-in check valve is used to allow oil to flow freely from one direction only. The spring inside keeps the valve core in a closed state.

M-SR...KE...1XJ/ plug-in check valve valve mainly includes:

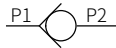
- (1) Valve sleeve
- (2) Valve core
- (3) Spring seat
- (4) Spring

The check valve has a conical valve structure with low pressure loss.

It is mainly used at the outlet of the pump as a back pressure valve and bypass valve.



Functional symbols



Models and specifications

M-SR	KE	1X	J	*
plug-in check valve				more information in text
size 8	=8			sealing material
size 10	=10			No code= NBR seals
size 15	=15			V= FKM seals
size 20	=20			(consult for other seals)
size 25	=25			
size 30	=30			
right angle type	=KE			
no spring	=00			
cracking pressure 0.2bar	=02			
cracking pressure 0.5bar	=05			
cracking pressure 1.5bar	=15			
cracking pressure 3.0bar	=30			
cracking pressure 5.0bar	=50			
		1X=		10 to 19 series (10 to 19 series installation and connection size unchanged)
			J=	Rekith

Technical parameters

Maximum working pressure	bar	to 315					
Cracking pressure	bar	See models and specifications					
Pressure medium		Mineral oil(HL,HLP) ¹⁾ in accordance with DIN 51524; fast living organisms Degraded oil according to VDMA 24568; HETG(Rapeseed oil) ¹⁾ ; HEPG(Polyethylene glycol) ²⁾ ; HEES(synthetic ester) ³⁾ ;					
Oil temperature range	°C	-30 to +80 (NBR seal)					
		-20 to +80 (FRM seal)					
Viscosity range	mm ² /s	2.8 to 500					
Cleanliness of oil		The maximum allowable pollution level of oil is ISO4406 Class 20/18/15					
Size		8	10	15	20	25	30
Maximum flow		35	50	120	200	300	400

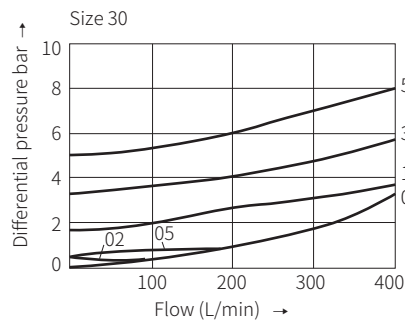
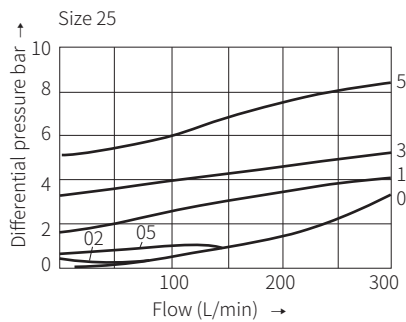
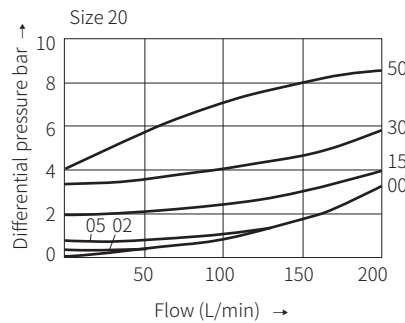
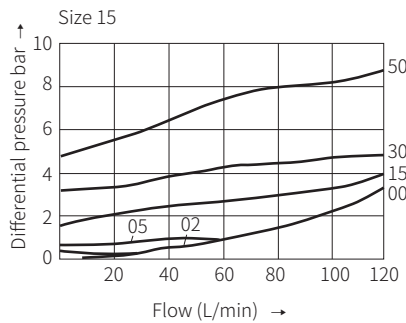
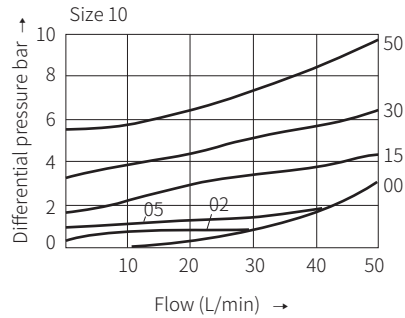
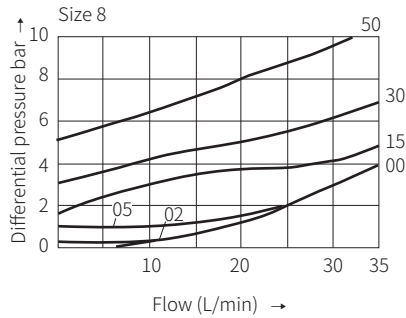
1)For NBR seal and FKM seal

2)Only for FKM seal

3)The oil must meet the cleanliness degree requested by the components in the hydraulic system. Effect oil filtration can prevent failure and increase the service life of the components.

Characteristic curve

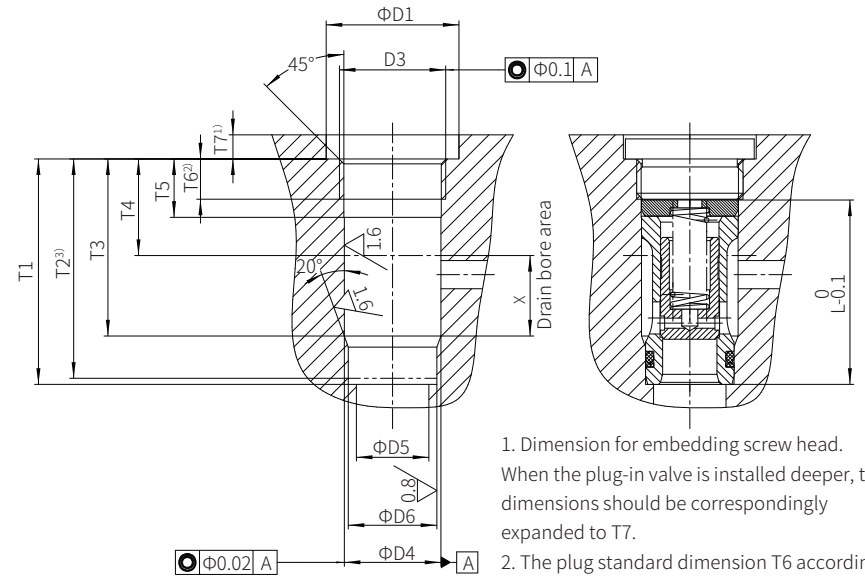
(Measured when using HLP46, $t_{oil} = 40^{\circ}\text{C} \pm 5^{\circ}\text{C}$)



Component size

Size unit: mm

Model M-SR..KE...1XJ/..



1. Dimension for embedding screw head. When the plug-in valve is installed deeper, the dimensions should be correspondingly expanded to T7.
2. The plug standard dimension T6 according to DIN3852. When using other plugs, it should be recalculated based on the total length L of the valve.
3. Fitting depth.

Size	8	10	15	20	25	30
L	36.3	39.3	45.8	55.3	74.3	83.3

Hole size of the right angle type plug-in check valve														
Size	P(bar)	D1	D3	D4(H8)	D5	D6(H7)	T1 ^{+0.1}	T2	T3	T4	T5	T6	T7	X
8	315	23	G3/8	14	8	13	48.5	47.5	38.5	20	15	12	6	18
10	315	28	G1/2	18	10	17	53.5	52.5	43.5	24	18	14	6	19
15	315	33	G3/4	24	15	22	62	60.5	50	26	20.5	16	6	24
20	315	41	G1	30	20	28	71.5	70	56.5	26	20.5	16	7	30
25	315	51	G1 1/4	38	25	36	90.5	88	72.5	28	22	16	7	43
30	315	56	G1 1/2	44	30	42	99.5	96.5	79.5	31	22	16	7	48